

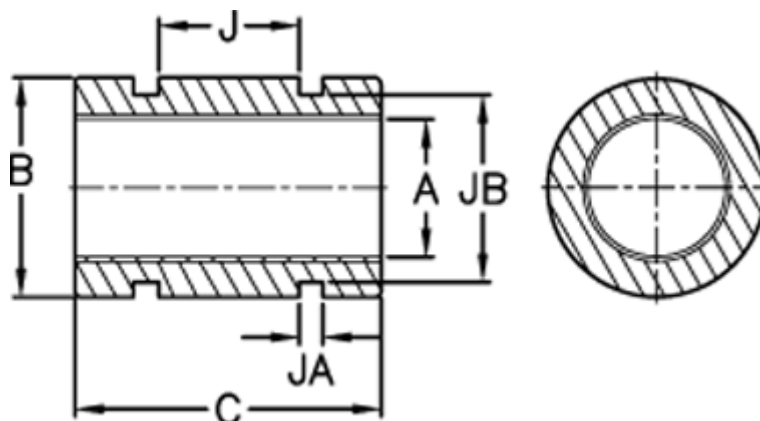
Data Sheet



Article number: 5012016

Description: Thin wall bearing FMT 16

Measures



A max	= 16.042999999999999	For o-ring	= 21,1 x 1,6
A min	= 16.015999999999998	J	= 14
B max	= 24	JA	= 2
B min	= 23.978999999999999	JB	= 21.3
Bush weight kg	= 0.0184	Static load (kg)	= 1008
C max	= 30	Surface area kcm	= 4.8
C min	= 29.745999999999999		
Concentric mm	= 0.0254		